

Aditya Enterprises

A Name in the Field of Power Protection & Automation : Conventional Electricity , DG Power
& Solar (Renewable Power)

ADITYA ENTERPRISES

GUARANTEED TECHNICAL PARTICULARS

1. General
 - 1.1 Make : ADITYA
 - 1.2 Cat. No. : AE-FCBC11020
 - 1.3 Type : Dual Float cum Boost
Charger

- 2.0 AC Input
 - a) Voltage +/- % Variation V : 440Vac +/-10%.
 - b) Freq. +/- Variation % Hz: 50Hz +/- 5%.

- 2.1 DC Output
 - a) Volt/cell : Float Charge 2.25V(VRLA)
: Boost Charge 2.30V(VRLA)
 - b) Current Amp. : 20A max.
 - c) Rated output KW : 0.72 KW (VRLA).

- 2.2 Type of cooling : Natural air cooling.

- 2.3 Max Temp. rise within cubicle : above 50degree C ambient
 - a) Rectifier Transformer C : 85 degree C as per class F
 - b) SCR degree C : 60 degree C.

- 3.0 Performance
 - 3.1 Regulation for 0-100% rated load : +/- 1%.
 - 3.2 Ripple content in DC output
 - a) With Battery % : <1% pp
 - b) Without Battery % : <1% pp
 - 3.3 Guaranteed efficiency : > 80% at rated output and nominal input.
 - 3.4 Power Factor % : > 0.8 lag at rated output and nominal input.
 - 3.5 Rated 1 hour overload capacity : 10%.

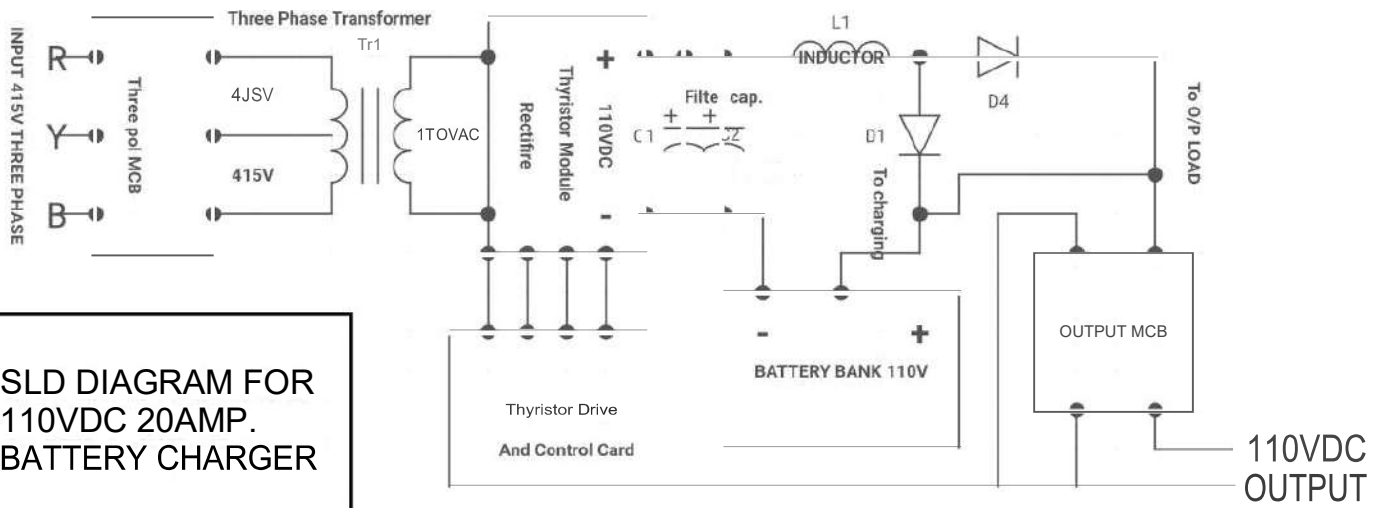
- 4.0 Features
 - 4.1 Charger provided with following features :
 - a) Automatic Voltage Regulation : Available
 - b) Current limiting circuitry : Available
 - c) Smoothing filter circuit : Available
 - d) Soft start feature : Available
 - 4.2 SCR elements provided with
 - a) Surge Protection : Available

- 4.3 Whether rectifier & Transformer are placed in same cabinet : Yes complete
charger in one cabinet

ADITYA ENTERPRISES

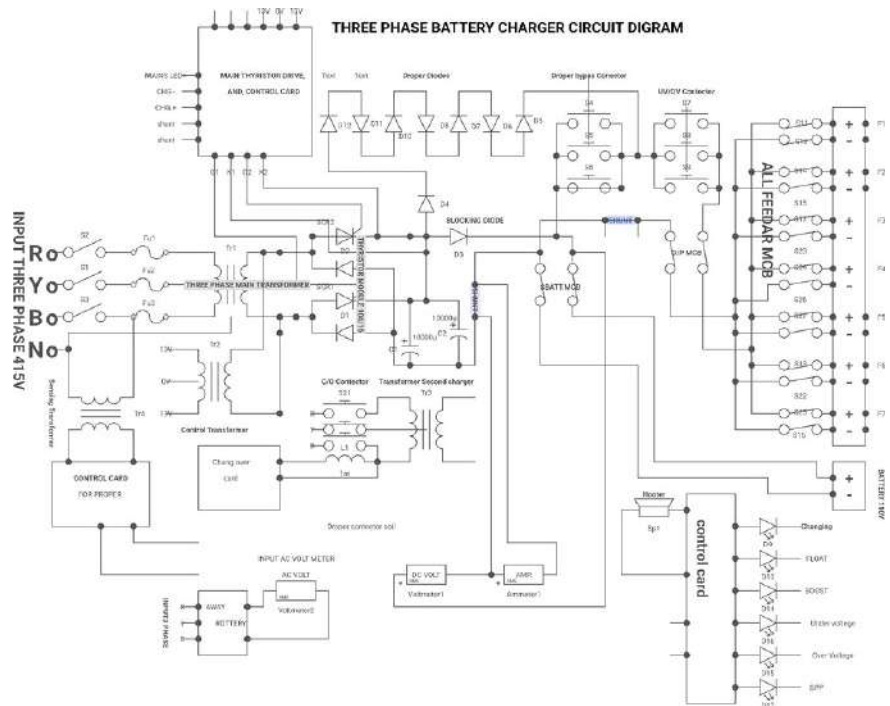
GUARANTEED TECHNICAL PARTICULARS

5.0	AC Switch/ MCB	: MCB 32A.4POLE
5.1	Make	: Schneider
5.2	DC Switch MCB	: 32A
5.4	Make	: Schneider
6.0	Rectifier Transformer	
6.1	Make	: ADITYA
6.2	Ratings	
	a) KVA	: 7.5KVA
	b) Input Voltage	: 440Vac.
	c) % reactance	: 5%.
	d) Class of Insulation	: Class-F.
	e) Method of cooling	: Natural Air cooled.
7.0	Indications	
7.1	Type	: LED
7.2	Indications	: AC input, DC, Float, Boost, Output U/V, Output O/V, SPP,EARTH FAULT,DC OUTPUT ON.
8.0	Metering	
8.1	Make	: Satya
8.2	Type	: Digital
8.3	Warranty	: One year.
9.0	Cabinet	
9.1	Paint type	: Powder coated paint.
9.2	Indoor / Outdoor Type	: Indoor Type.
9.2	Sheet steel thickness mm	: 1.6mm.
10.0	Electronic Component Compliance	: Rohs compliant.
10.1	Component Make	: Reputed/ Keltron/Vishay/Watts/Kohm etc.
10.2	PCB Type	: Single side printed.
10.3	PCB Board type	: Glass Epoxy

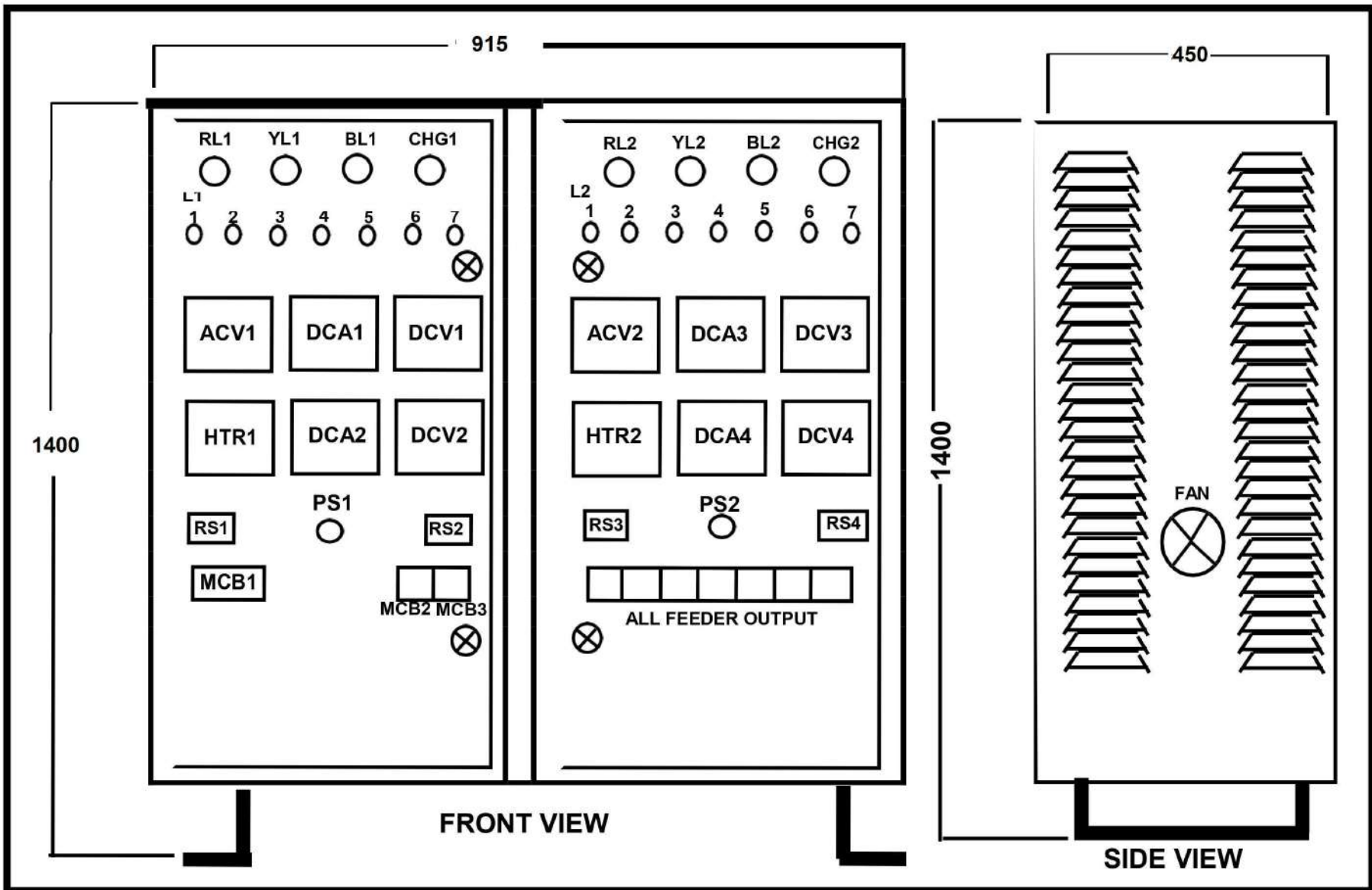


SLD DIAGRAM FOR
110VDC 20AMP.
BATTERY CHARGER

ADITYA ENTERPRISES



ADITYA ENTERPRISES NEW DELHI
THREE PHASE BATTERY CHARGER CIRCUIT DIGRAM



NOTE :
 1). ALL DIMENSIONS ARE IN MM.
 2). CABLE ENTRY FROM BOTTOM.
 3). FABRICATION DONE BY USING 1.6MM CRCA SHEET & PAINT FINISH WITH NEW WHITE.

ADITYA ENTERPRISES

GENERAL ARRANGEMENT
 DIAGRAM FOR 110V 20AMP.
 BATTERY CHARGER